

GN 425 | Bridge handles

Steel, stainless steel, aluminium



STANDARD EXECUTIONS

Round cross section bar.

Threaded blind holes.

- **GN 425-CR**: chrome-plated steel.
- **GN 425-BT**: black-oxide steel.
- **GN 425-A4**: AISI 316L stainless steel, sandblasted matte finish.
- **GN 425-NI**: AISI 303 stainless steel (d1=8-10), AISI 304 stainless steel (d1=12-16), sandblasted matte finish.
- **GN 425-AL-EL**: anodised aluminium, natural colour.
- **GN 425-AL-SW**: aluminium, epoxy resin coating, RAL 9005 black colour, matte finish.

WASHERS

Nickel-plated zinc alloy for the executions GN 425-CR and GN 425-BT.
AISI 316L stainless steel for the executions GN 425-A4.

AISI 303 stainless steel for the executions GN 425-NI and GN 425-AL.

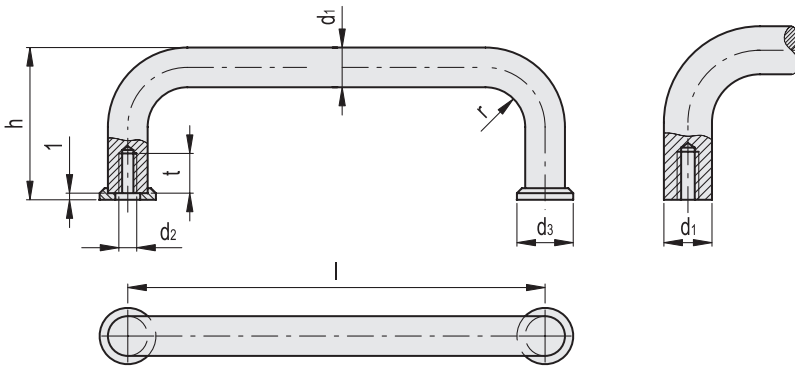
SPECIAL EXECUTIONS ON REQUEST

- Different lengths.
- Epoxy resin coating in different colours.



GN 425 (d1 = 8 - 10)

GN 425 (d1 = 12 - 16)



Conversion Table			
1 mm = 0.039 inch			
mm	inch	mm	inch
88	3.46	180	7.09
100	3.94	200	7.87
120	4.72	235	9.25
125	4.92	250	9.84
160	6.30	300	11.81

GN 425-CR

GN 425-BT

METRIC

Code	Description	Code	Description	d1	±0.5	d2	d3	h	r	tmin	⚖
GN.26441	GN 425-8-88-CR#	GN.26442	GN 425-8-88-BT#	8	88	M4	12	35	10	8	53
GN.26451	GN 425-8-100-CR	GN.26452	GN 425-8-100-BT	8	100	M4	12	35	10	8	60
GN.26461	GN 425-8-120-CR#	GN.26462	GN 425-8-120-BT#	8	120	M4	12	35	10	8	66
GN.26501	GN 425-10-88-CR#	GN.26502	GN 425-10-88-BT#	10	88	M5	15	43	12	12	91
GN.26511	GN 425-10-100-CR	GN.26512	GN 425-10-100-BT	10	100	M5	15	43	12	12	98
GN.26521	GN 425-10-120-CR#	GN.26522	GN 425-10-120-BT#	10	120	M5	15	43	12	12	109
GN.26531	GN 425-10-180-CR	GN.26532	GN 425-10-180-BT	10	180	M5	15	43	12	12	146
GN.26541	GN 425-10-200-CR	GN.26542	GN 425-10-200-BT	10	200	M5	15	43	12	12	161
GN.26551	GN 425-10-235-CR#	GN.26552	GN 425-10-235-BT#	10	235	M5	15	43	12	12	183
GN.26753	GN 425-12-125-CR	GN.26752	GN 425-12-125-BT	12	125	M6	-	51	14	12	165
GN.26758	GN 425-12-160-CR	GN.26757	GN 425-12-160-BT	12	160	M6	-	51	14	12	196
GN.26763	GN 425-12-200-CR	GN.26762	GN 425-12-200-BT	12	200	M6	-	51	14	12	232
GN.26768	GN 425-12-250-CR	GN.26767	GN 425-12-250-BT	12	250	M6	-	51	14	12	280
GN.26773	GN 425-16-160-CR	GN.26772	GN 425-16-160-BT	16	160	M6	-	59	18	12	371
GN.26778	GN 425-16-200-CR	GN.26777	GN 425-16-200-BT	16	200	M6	-	59	18	12	430
GN.26783	GN 425-16-250-CR	GN.26782	GN 425-16-250-BT	16	250	M6	-	59	18	12	510
GN.26788	GN 425-16-300-CR	GN.26787	GN 425-16-300-BT	16	300	M6	-	59	18	12	587

Lift & Pull handles

GN 425-A4

METRIC INOX STAINLESS STEEL

Code	Description	d1	±0.5	d2	d3	h	r	tmin	⚖
GN.26791	GN 425-A4-10-88-GS#	10	88	M5	15	43	12	12	91
GN.26793	GN 425-A4-10-100-GS	10	100	M5	15	43	12	12	98
GN.26796	GN 425-A4-10-120-GS#	10	120	M5	15	43	12	12	109
GN.26799	GN 425-A4-10-180-GS	10	180	M5	15	43	12	12	146
GN.26801	GN 425-A4-10-200-GS	10	200	M5	15	43	12	12	161
GN.26803	GN 425-A4-10-235-GS#	10	235	M5	15	43	12	12	183

GN 425-NI

METRIC INOX STAINLESS STEEL

Code	Description	d1	±0.5	d2	d3	h	r	tmin	⚖
GN.26443	GN 425-NI-8-88-GS	8	88	M4	12	35	10	8	53
GN.26453	GN 425-NI-8-100-GS	8	100	M4	12	35	10	8	58
GN.26463	GN 425-NI-8-120-GS#	8	120	M4	12	35	10	8	66
GN.26503	GN 425-NI-10-88-GS#	10	88	M5	15	43	12	12	91
GN.26513	GN 425-NI-10-100-GS	10	100	M5	15	43	12	12	98
GN.26523	GN 425-NI-10-120-GS#	10	120	M5	15	43	12	12	109
GN.26533	GN 425-NI-10-180-GS	10	180	M5	15	43	12	12	146
GN.26543	GN 425-NI-10-200-GS	10	200	M5	15	43	12	12	161
GN.26553	GN 425-NI-10-235-GS#	10	235	M5	15	43	12	12	183
GN.26563	GN 425-NI-12-125-GS	12	125	M6	-	51	14	12	205
GN.26566	GN 425-NI-12-160-GS	12	160	M6	-	51	14	12	242
GN.26569	GN 425-NI-12-200-GS	12	200	M6	-	51	14	12	296
GN.26572	GN 425-NI-12-250-GS	12	250	M6	-	51	14	12	333
GN.26583	GN 425-NI-16-160-GS	16	160	M6	-	59	18	12	431
GN.26586	GN 425-NI-16-200-GS	16	200	M6	-	59	18	12	526
GN.26589	GN 425-NI-16-250-GS	16	250	M6	-	59	18	12	532
GN.26592	GN 425-NI-16-300-GS	16	300	M6	-	59	18	12	603

GN 425-EL

GN 425-SW

Code	Description	Code	Description	d1	±0.5	d2	d3	h	r	tmin	⚖
GN.26651	GN 425-AL-8-88-EL#	GN.26652	GN 425-AL-8-88-SW#	8	88	M4	12	35	10	8	20
GN.26656	GN 425-AL-8-100-EL	GN.26657	GN 425-AL-8-100-SW	8	100	M4	12	35	10	8	24
GN.26661	GN 425-AL-8-120-EL#	GN.26662	GN 425-AL-8-120-SW#	8	120	M4	12	35	10	8	28
GN.26666	GN 425-AL-10-88-EL#	GN.26667	GN 425-AL-10-88-SW#	10	88	M5	15	43	12	12	36
GN.26671	GN 425-AL-10-100-EL	GN.26672	GN 425-AL-10-100-SW	10	100	M5	15	43	12	12	38
GN.26676	GN 425-AL-10-120-EL#	GN.26677	GN 425-AL-10-120-SW#	10	120	M5	15	43	12	12	42
GN.26681	GN 425-AL-10-180-EL	GN.26682	GN 425-AL-10-180-SW	10	180	M5	15	43	12	12	54
GN.26686	GN 425-AL-10-200-EL	GN.26687	GN 425-AL-10-200-SW	10	200	M5	15	43	12	12	58
GN.26691	GN 425-AL-10-235-EL#	GN.26692	GN 425-AL-10-235-SW#	10	235	M5	15	43	12	12	65
GN.26635	GN 425-AL-12-125-EL	GN.26636	GN 425-AL-12-125-SW	12	125	M6	-	51	14	12	60
GN.26637	GN 425-AL-12-160-EL	GN.26638	GN 425-AL-12-160-SW	12	160	M6	-	51	14	12	70
GN.26639	GN 425-AL-12-200-EL	GN.26640	GN 425-AL-12-200-SW	12	200	M6	-	51	14	12	82
GN.26641	GN 425-AL-12-250-EL	GN.26642	GN 425-AL-12-250-SW	12	250	M6	-	51	14	12	114
GN.26643	GN 425-AL-16-160-EL	GN.26644	GN 425-AL-16-160-SW	16	160	M6	-	59	18	12	128
GN.26645	GN 425-AL-16-200-EL	GN.26646	GN 425-AL-16-200-SW	16	200	M6	-	59	18	12	149
GN.26647	GN 425-AL-16-250-EL	GN.26648	GN 425-AL-16-250-SW	16	250	M6	-	59	18	12	178
GN.26649	GN 425-AL-16-300-EL	GN.26650	GN 425-AL-16-300-SW	16	300	M6	-	59	18	12	205

Suitable for use on rack 19" and instruments in general.